

RD7

Tandem Rollers



**WACKER
NEUSON**
all it takes!



Maneuverable, compact and powerful: RD7

The right choice for a broad range of applications — the RD7. The walk-behind double drum vibratory roller optimally compacts asphalt and granular material. The compact design offers many advantages: The tapered frame allows for seamless compaction right up against walls or other boundaries. Due to the short roller spacing and low center of gravity, the roller can turn much more easily than comparable models. Operations are therefore much more fluid and faster.

- High level of operator safety thanks to the dead man's handle: in the event of danger, the vibratory roller stops automatically.
- Protection against hand-arm vibrations due to the shock-mounts and attenuator in the center pole.
- Transport more easily and save space when storing due to the fold-down center pole.
- Optimized center pole – in design and function.
- Easy starting and working, even in the winter, due to the special coupling/pump drive system.

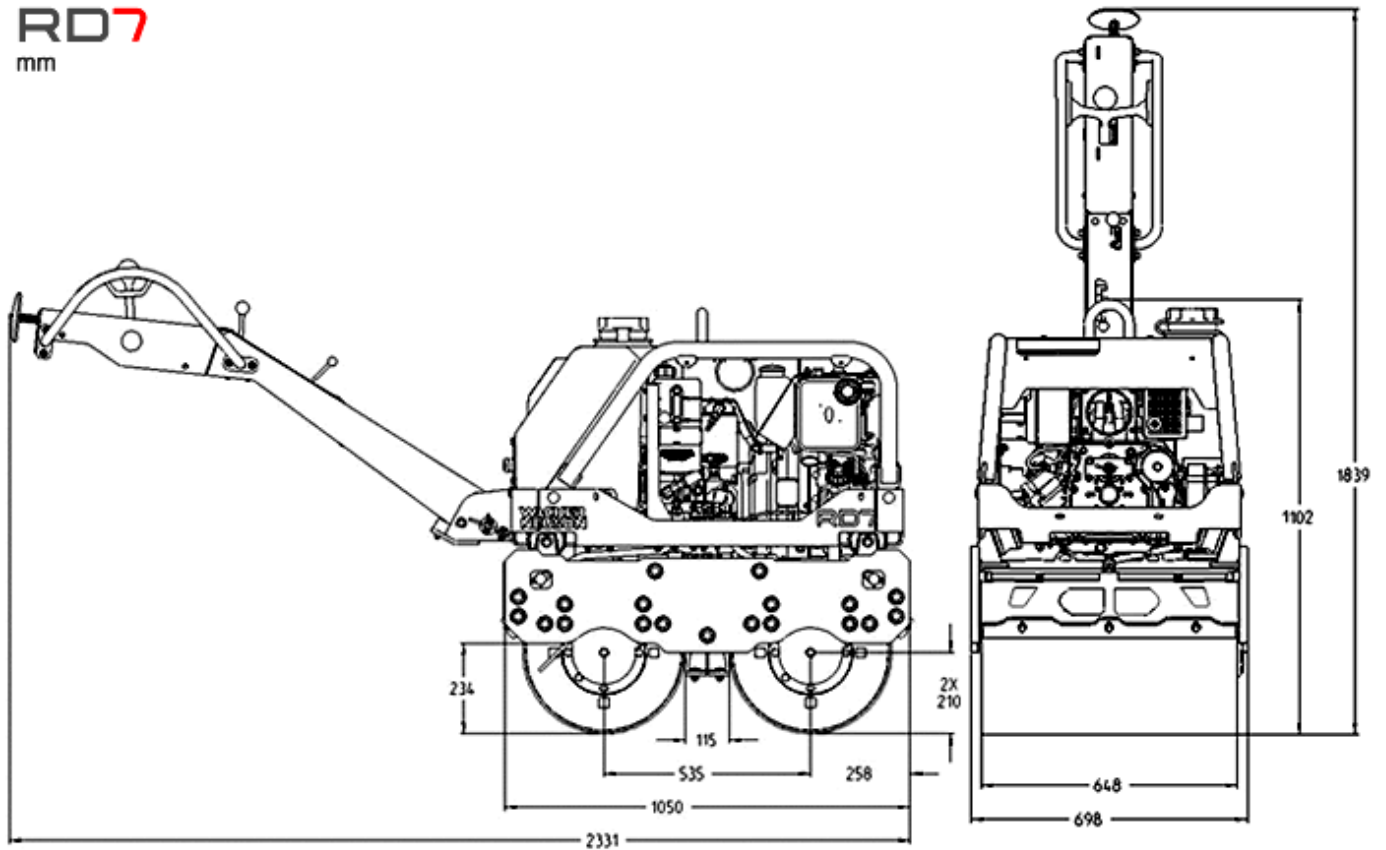
RD7 Technical specifications

	RD7H	RD7He	RD7Ye
Operating data			
Operating weight (water tank half full)* kg	731.4	751.4	740.5
Operating weight (water tank half full) kg	716.4	736.4	725.5
L x W x H (center pole in working position) mm	2,366 x 698 x 1,102	2,366 x 698 x 1,162	2,366 x 698 x 1,102
Drum width mm	650	650	650
Drum diameter mm	420	420	420
Side clearance (right and left) mm	25	25	25
Curb clearance mm	209.3	209.3	209.3
Centrifugal force - high kN	22.2	22.2	22.2
Centrifugal force - low kN	13.1	13.1	13.1
Frequency - high Hz	62.1	62.1	62.1
Frequency - low Hz	47.5	47.5	47.5
Amplitude drum mm	0.74	0.74	0.74
Linear force - front / rear (static)* N/mm	4.6 / 6.4	4.6 / 6.4	4.2 / 6.3
Linear force - front / rear (static) N/mm	4.5 / 6.3	4.8 / 6.3	4.1 / 6.2
Linear force - front / rear (dynamic) - high N/mm	17.1 / 17.1	17.1 / 17.1	17.1 / 17.1
Linear force - front / rear (dynamic) - low N/mm	10 / 10	10.04 / 10.04	10 / 10
Total force applied - high* kN	29.6	29.6	29.1
Total force applied - low* kN	20.4	20.4	19.9
Total force applied - high kN	29.26	29.45	29
Total force applied - low kN	20.08	20.28	19.8
Travel speed forwards max. km/h	4.5	4.5	4.5
Travel speed reverse max. km/h	2.5	2.5	2.5
Surface capacity max. m ² /h	2,890	2,890	2,890
Gradeability with vibration %	40	40	40
Gradeability without vibration %	45	45	45
Engine / Motor			
Engine / Motor type	Air-cooled single cylinder four-cycle diesel engine	Air-cooled single-cylinder 4-stroke diesel engine	Air-cooled single cylinder four-cycle diesel engine
Engine / Motor manufacturer	Hatz	Hatz 1D42S	Yanmar
Displacement cm ³	445	445	435
RPM / speed rpm	2,600	2,600	2,700
Operating performance kW	6.1	6.1	6.1
Filling capacities			
Fuel tank capacity l	5	5	5.4
Tank capacity Water l	60	60	60

* For Machines with Guards

RD7 Dimensions

RD7
mm



	RD7H	RD7He	RD7Ye
L x W x H	2,366 x 698 x 1,102 mm	2,366 x 698 x 1,162 mm	2,366 x 698 x 1,102 mm
Drum width	650 mm	650 mm	650 mm
Drum diameter	420 mm	420 mm	420 mm

Please note: that product availability can vary from country to country. It is possible that information / products may not be available in your country. More detailed information on engine power can be found in the operator's manual; the stated power may vary due to specific operating conditions. Subject to alterations and errors excepted. Applicable also to illustrations.
Copyright © 2019 Wacker Neuson SE.